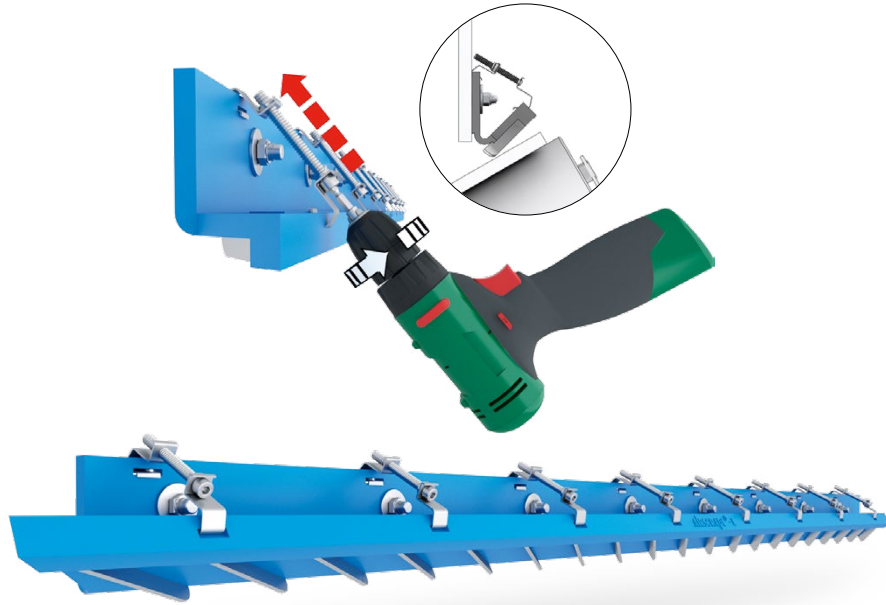
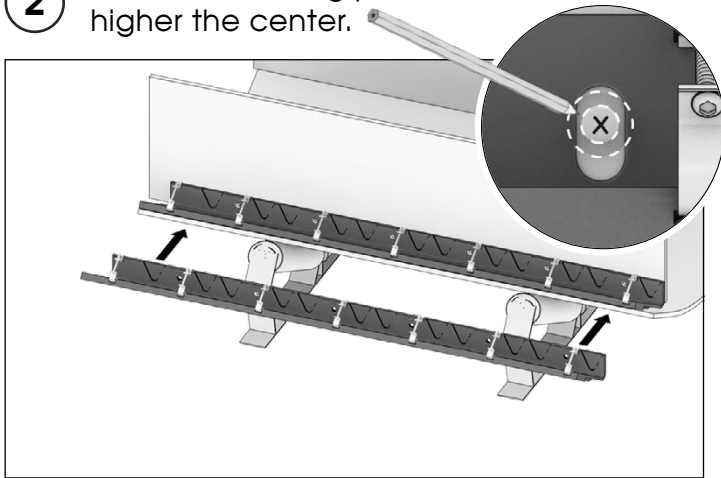


Correct Installation

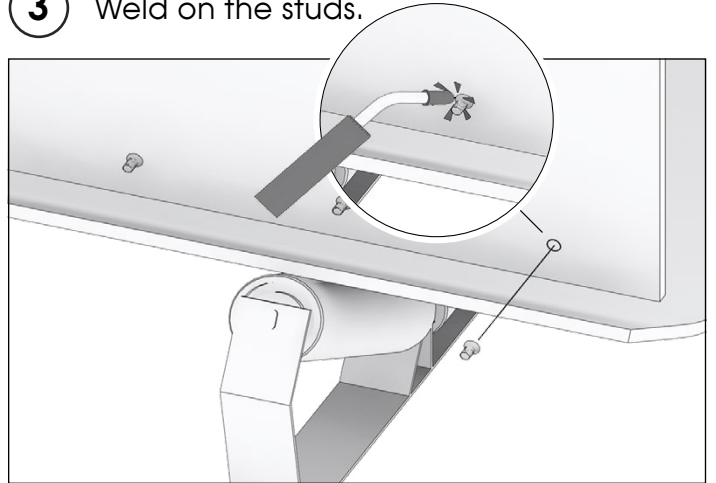
- ① Lift it higher than the trough angle.



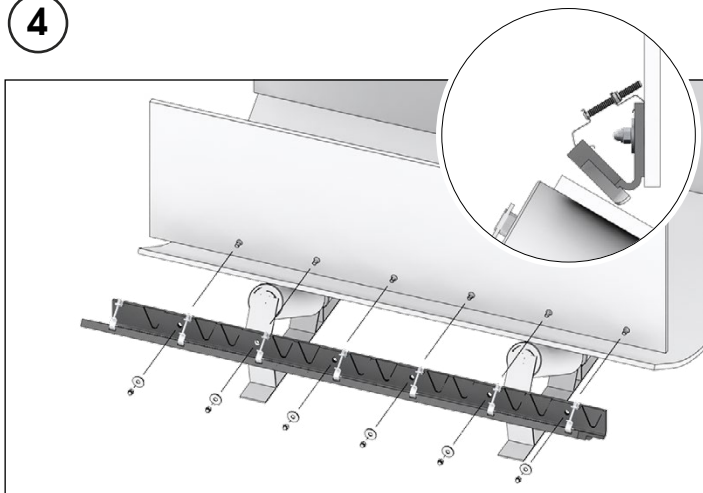
- ② Mark the welding point 5 mm higher the center.



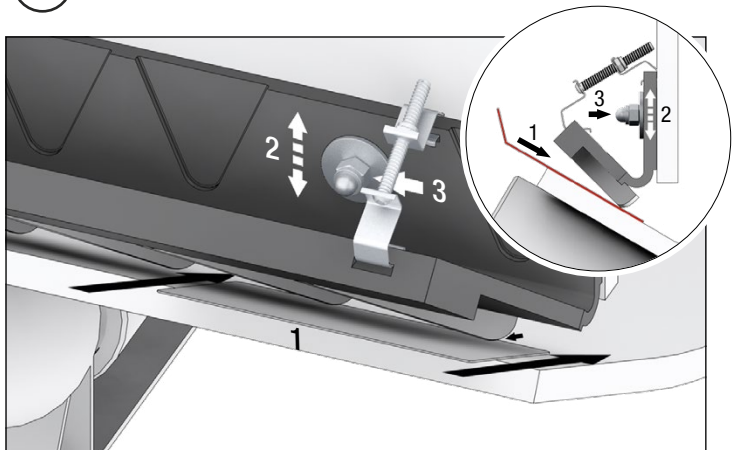
- ③ Weld on the studs.



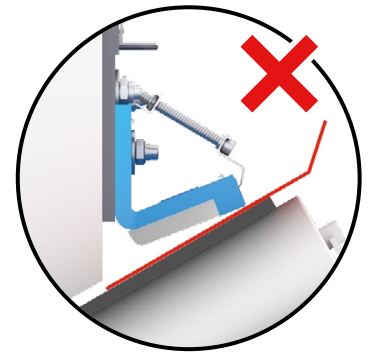
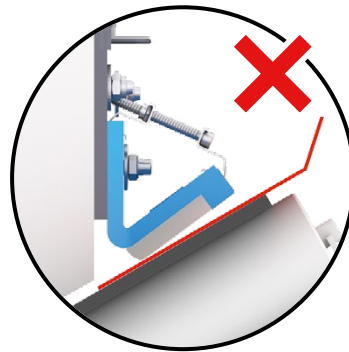
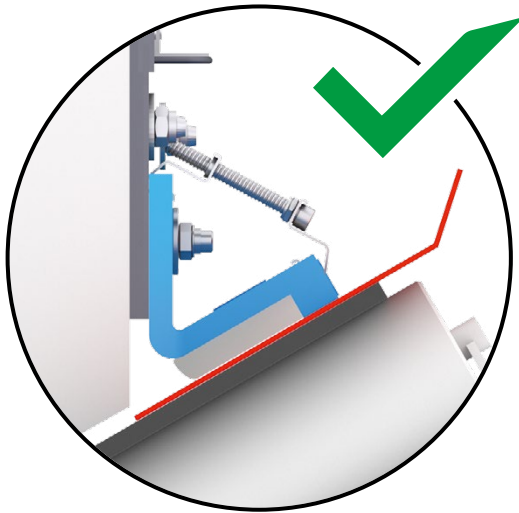
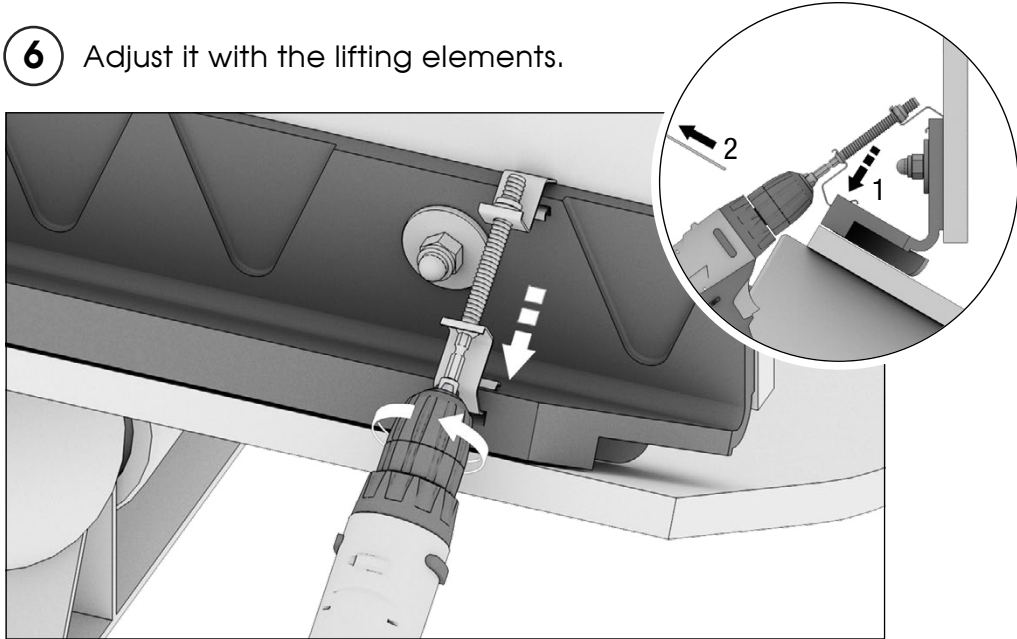
- ④



- ⑤ Use the spacer plate.



6 Adjust it with the lifting elements.



Video Assembly Instructions

