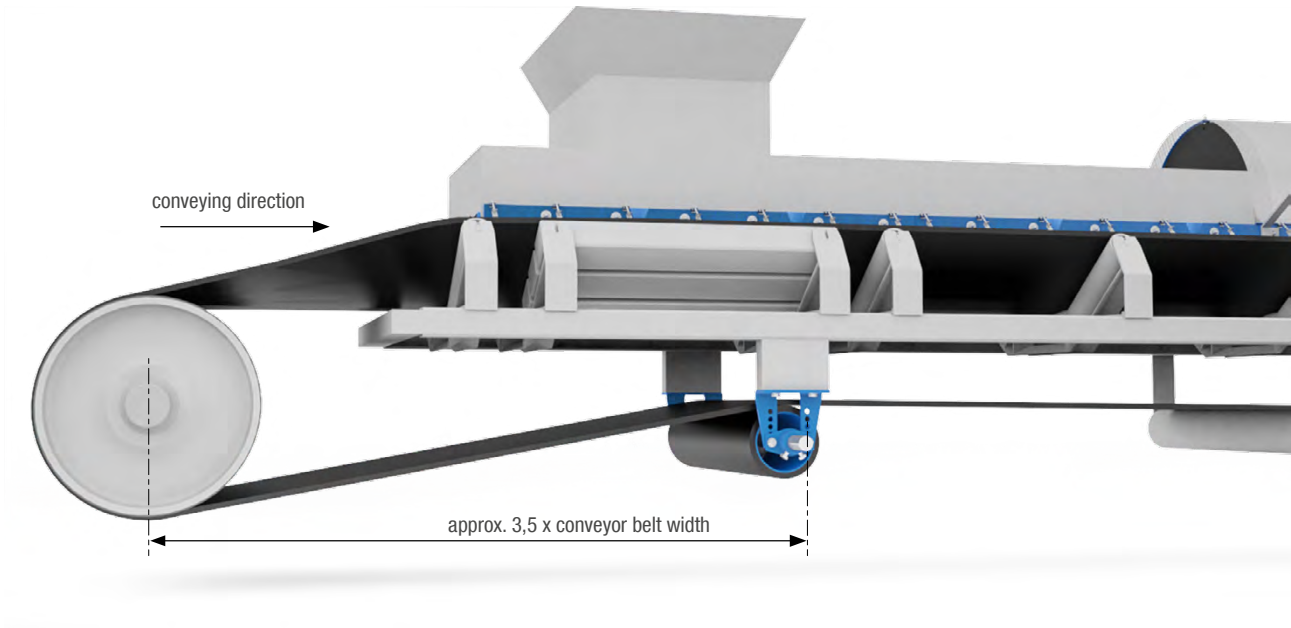


INSTALLATION GUIDE



PRIMETRACKER

CONVEYOR BELT
TRACKING ASSISTANT



PRIMETRACKER

CONVEYOR BELT TRACKING ASSISTANT

1. INSTALLATION GUIDE

1.1. SAFETY INFORMATION

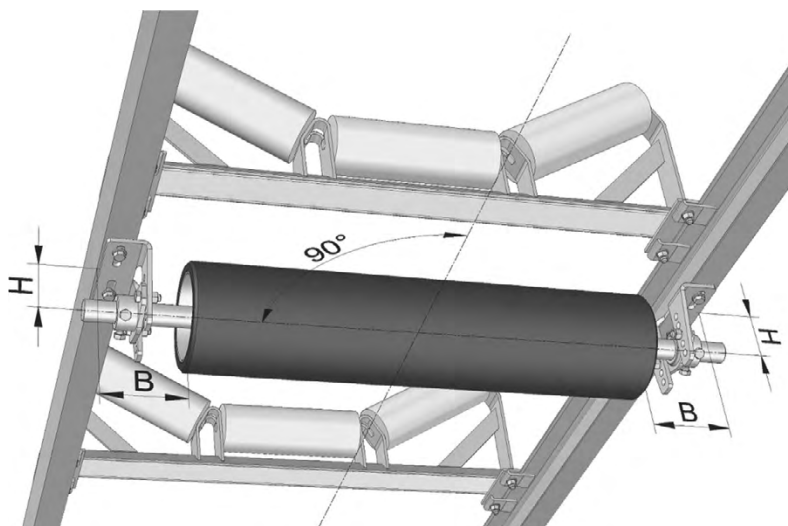


1. The safety instructions of the company must be observed.
2. The conveyor belt system must be switched off before the PrimeTracker is installed and secured against being switched on again.
3. Check that the installation situation is correct: Running direction and installation position.
4. Wearing gloves prevents the risk of injury.

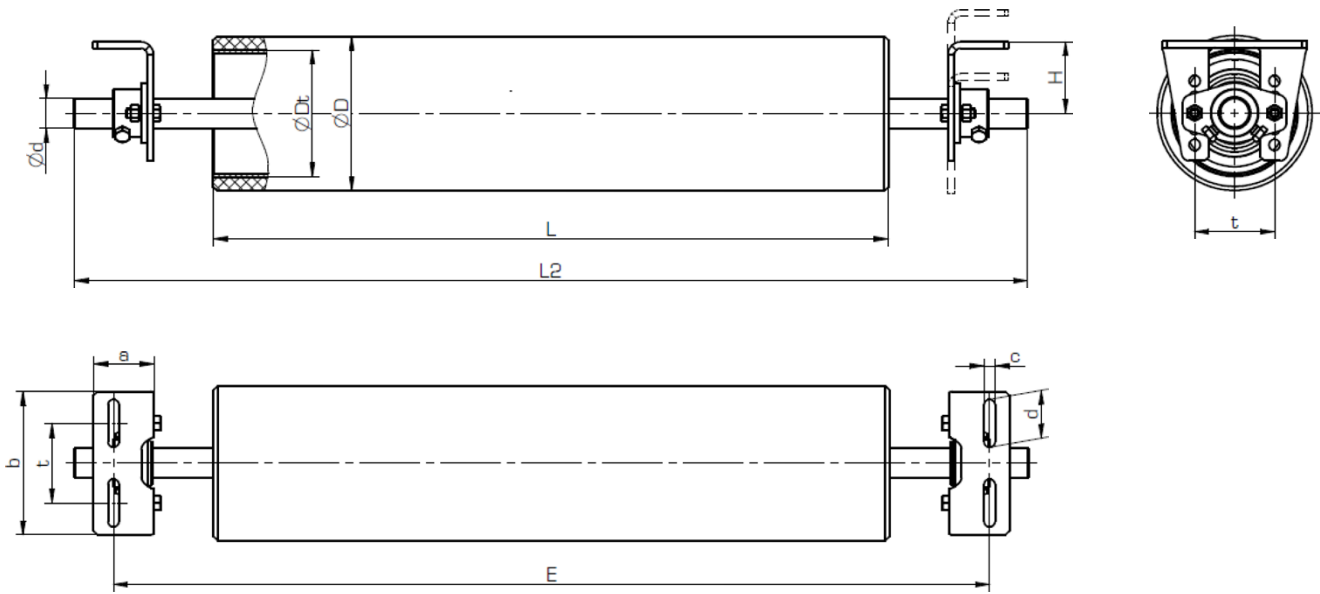
1.2. INSTALLATION

Mount the PrimeTracker and be aware of **three important dimensions!**
These must correspond to the drawing below.

1. **The belt must be aligned with equal distances between the PrimeTracker outer edges and the support frame on both sides - see dimension B.**
Measure dimension B on the left, measure dimension B on the right, average and tighten the screws.
2. **The PrimeTracker must have a 90 degree angle to the conveyor centerline.**
Use a set square with long shanks.
3. **The height "H" between the PrimeTracker axis and the support frame must be the same on both sides.**
4. The PrimeTracker is mounted at a distance of approx. 3,5 x belt width in front of the tail drum with low pressure.
5. It can be installed either above or below the belt. Preferably on the clean conveyor belt running side.



1.3. INSTALLATION DIMENSIONS



PrimeTracker installation dimensions (mm)

Belt width	Ø D	Ø Dt	L	L2	Ø d	E	H	a x b	c x d	t	Weight (kg)
500	194	159	550	900	38	760 + 900	50 + 130	76 x 180	14 x 60	100	43,6
650			700	1050		840 + 1050					49,3
800			850	1200		990 + 1200					54,9
1000			1050	1400		1190 + 1400					62,4
1200			1250	1600		1390 + 1600					70
1400	225	194	1500	1900	50	1650 + 1900	60 + 160	76 x 210	18 x 60	120	113,5
1600			1700	2100		1850 + 2100					123,6
1800			1900	2300		2050 + 2300					133,8
2000			2100	2500		2250 + 2500					143,9

PrimeTracker installation dimensions (inch)

Belt width	Ø D	Ø Dt	L	L2	Ø d	E	H	a x b	c x d	t	Weight (kg)
19.69	7.64	6.26	21.65	35.43	1.50	29.92 + 35.43	1.97 + 6.30	2.99 x 7.09	0.55 x 2.36	3.94	43.6
25.59			27.56	41.34		33.07 + 41.34					49.3
31.50			33.46	47.24		38.98 + 47.24					54.9
39.37			41.34	55.12		46.85 + 55.12					62.4
47.24			49.21	62.99		54.72 + 62.99					70.0
55.12	8.86	7.64	59.06	74.80	1.97	64.96 + 74.80	2.36 + 6.30	2.99 x 8.27	0.71 x 2.36	4.72	113.5
62.99			66.93	82.68		72.83 + 82.68					123.6
70.87			74.80	90.55		80.71 + 90.55					133.8
78.74			82.68	98.43		88.58 + 98.43					143.9

